

Archived content. No warranty is made as to technical accuracy. Content may contain URLs that were valid when originally published, but now link to sites or pages that no longer exist.

Visual Basic 4.0 Technical Articles

Mapping the Remote Data Object: RDO 1.0

Ken Lassesen

Microsoft Developer Network Technology Group

August 2, 1995

Abstract

This article consists primarily of a graphic map of the Remote Data Object (RDO), showing its properties, methods, and child objects. The map provides a quick reference to this object. This object is licensed for use only with Visual Basic® 4.0 Enterprise Edition.

The Remote Data Object

The Remote Data Object (RDO) uses Remote Procedure Calls (RPC) to communicate with database servers via the Open Database Connectivity (ODBC) driver manager and a specified server driver. This approach insulates the developer from many database-programming complexities while providing high-level data access objects, properties, and methods. This object is licensed for use only with Visual Basic® 4.0 Enterprise Edition.

A map is a good learning aid and a quick reference when developing an application. After producing a map, I found that it was easy to work with the object: I just post the appropriate map on my wall for quick reference, which is a lot faster than clicking objects in a Help file one by one to discover their properties and methods.

Because Figure 1 is unreadable online, I have included the two most common graphics formats—encapsulated PostScript™ (.EPS) and Windows® metafile (.WMF)—as well as a copy of my original Shapeware® Visio™ version 3.0 file (.VSD). The first two formats can be printed across multiple pages using any of the commercial graphics applications—such as Adobe™ PageMaker™, Corel® Draw, or Microsoft® Publisher—or using Microsoft Excel. The original Visio file is included for those who have a copy of Visio and wish to modify the diagram easily.

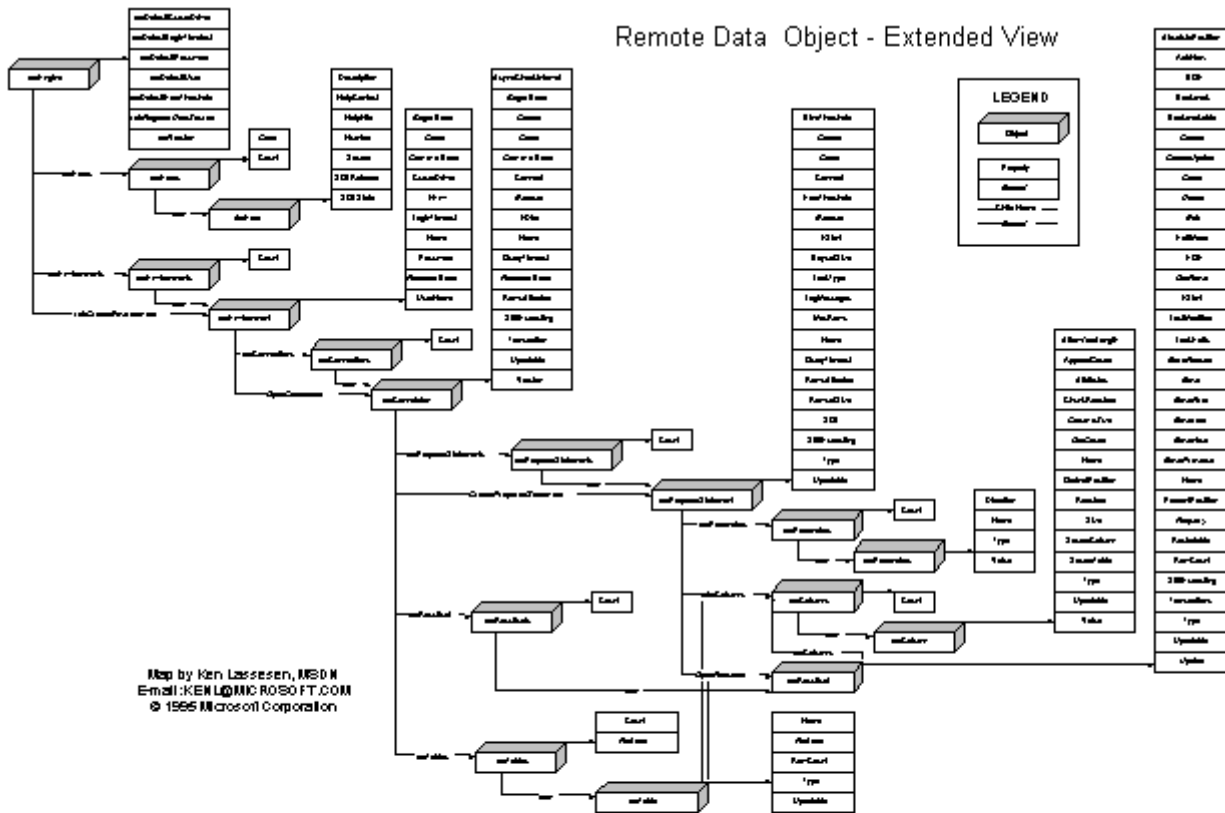


Figure 1. The Remote Data Object map

Object Definitions

The objects and collections in Figure 1 are defined in Table 1.

Table 1. Object and Collection Definitions

Object or Collection	Definition
rdoEngine object	This object represents the remote data source. As the top-level object, it contains all other objects in the hierarchy of remote data objects.
rdoErrors collection	This collection contains all stored rdoErr or objects. Each rdoErr or object applies to a single operation involving remote data objects.
rdoError object	This object contains details about remote data access errors.
rdoEnvironments collection	This collection contains all active rdoEnvironment objects of the rdoEngine object.
rdoEnvironment object	This object contains a logical set of connections for a particular user ID. It contains open databases, provides mechanisms for simultaneous transactions, and provides a security context for data manipulation language (DML) operations on the database.
rdoConnections collection	This collection contains all open rdoConnection objects opened or created in an rdoEnvironment object of the remote database engine.
rdoConnection object	This object represents an open connection to a remote data source and a specific database on that data source.
rdoPreparedStatements collection	This collection contains all rdoPreparedStatement objects in an

	rdoConnection.
rdoPreparedStatement object	This object is a stored definition of a query. An rdoPreparedStatement object corresponds to a prepared query definition. Think of this object as a compiled SQL statement.
rdoColumns collection	This collection contains all stored rdoColumn objects of an rdoResultset, rdoPreparedStatement, or rdoTable object.
rdoColumn object	This object represents a column of data with a common data type and a common set of properties.
rdoParameters collection	This collection contains all the rdoParameter objects of an rdoPreparedStatement object.
rdoParameter object	This object is a parameter associated with an rdoPreparedStatement object.
rdoResultsets collection	This collection contains all open rdoResultset objects in an rdoConnection.
rdoResultset object	This object is the set of rows that results from running a query.
rdoTables collection	This collection contains all stored rdoTable objects in a database.
rdoTable object	This object is the stored definition of a base table or an SQL view.

[Manage Your Profile](#) | [Legal](#) | [Contact Us](#) | [MSDN Flash Newsletter](#)

© 2007 Microsoft Corporation. All rights reserved. [Terms of Use](#) | [Trademarks](#) | [Privacy Statement](#)



Requirements 2004/11/18